

# “CB” & “CK” RANGE

## INSTRUCTION MANUAL

CB95T  
CB95  
CB952C

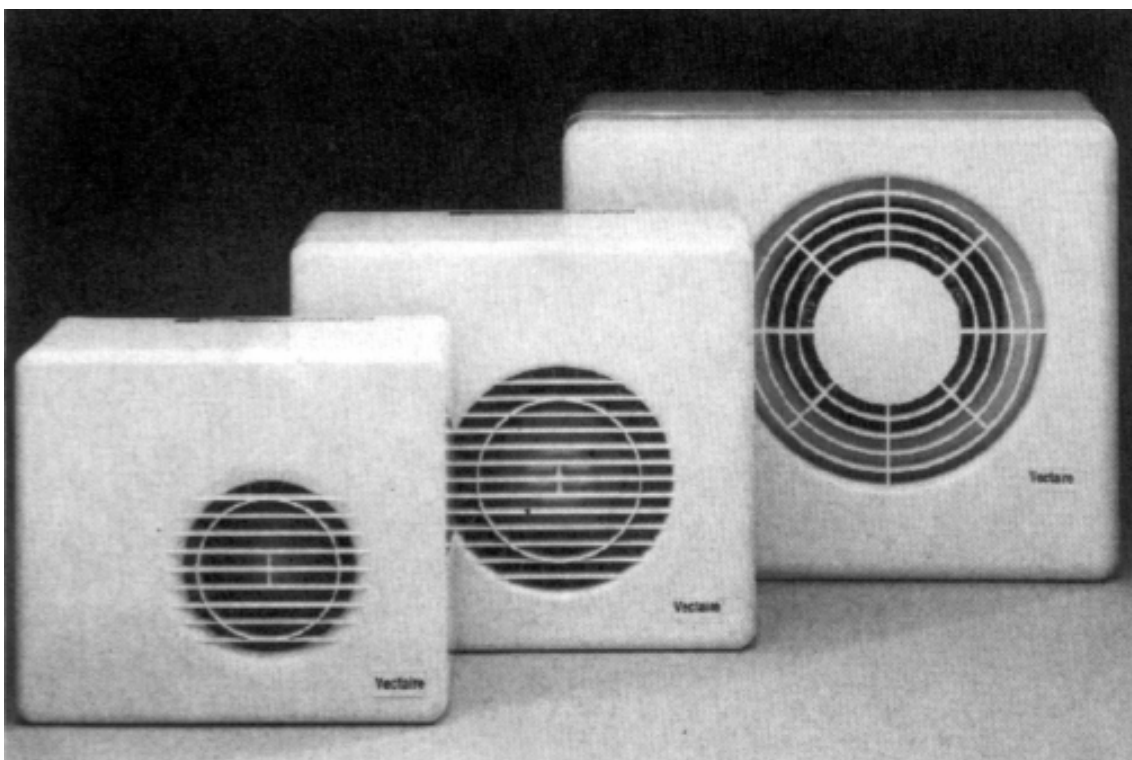
CK220T  
CK220  
CK2202C

CB95HCT  
CB95H2C

CK220HCT  
CK220H2C

**Centrifugal Fans for Toilets Bathrooms and Shower rooms**

**NOTE FOR INSTALLER:  
THIS MANUAL MUST ALWAYS BE READILY AVAILABLE**



### **Vectaire Ltd.**

Lincoln Road, Cressex Business Park, High Wycombe  
Buckinghamshire, HP12 3RH - UK  
Tel. +44 (0) 1494 522333 - Fax . +44 (0) 1494 522337

---

## GENERAL PRECAUTIONS

IT IS RECOMMENDED THAT YOU READ THE FOLLOWING INSTRUCTIONS VERY CAREFULLY BEFORE USING THE PRODUCT. THE MANUFACTURER WILL NOT BE HELD RESPONSIBLE AND DECLINES ANY AND ALL LIABILITY FOR DAMAGE CAUSED TO PERSONS OR PROPERTY DUE TO IMPROPER USE WITH REFERENCE TO THE PRECAUTIONS OUTLINED IN THIS MANUAL.

The manual explains how to install correctly, use and carry out maintenance on the product. Following these instructions will ensure that the product will be electrically and mechanically reliable and will extend its working life.

- Do not use this product for any purpose other than that for which it was designed and as illustrated herein.
  - When removing the product from its packaging, make sure that it has not been damaged. If in doubt, contact immediately your supplier.
  - Do not leave packing material within the reach of children or unskilled people. Do not dump any hazardous parts into the environment (polystyrene, plastic, polypropylene, etc.).
  - If the product is dropped or badly knocked, contact immediately qualified personnel (authorised dealer, service centre or manufacturer) to check that the product operates correctly.
  - The use of any electrical device requires compliance with some basic rules which are listed below:
    - do not touch the device with moist or wet parts of the body (hands, feet).
    - do not allow the product to be operated by children or unskilled people.
  - Connect the product to the mains electricity supply or electrical outlet only if:
    - your electrical voltage and frequency corresponds to those shown on the rating label.
    - the capacity of your electricity supply is sufficiently powerful to operate the product at its maximum power.If not, contact a professional electrician.
  - It is recommended that the product is switched off when not in use.
  - Before carrying out any maintenance or cleaning, switch off the product and disconnect it from the mains electricity supply.
  - If a fault, malfunction or anomaly of any type occurs, make the fan inoperative (by turning off the switch and by disconnecting it from the mains electricity supply) and immediately contact qualified personnel.
- Always request original spare parts to effect any repairs.
- If the product needs to be removed, turn off the mains supply circuit-breaker and then disconnect the fan.
- Place the device in a safe location away from children and/or unskilled people.
- All electrical connections must comply with current IEE wiring regulations.

## SPECIAL PRECAUTIONS

- The product is professionally manufactured and complies with the current standards regarding electrical equipment.
- The fans comply with BSEN60335; with the Low Voltage Directive; with EC Directive EMC 89/336 for the Suppression of Radio Interference.
- Do not use the product at an ambient temperature higher than 40 °C (104 °F).
- Do not allow the product to be exposed to atmospheric agents (rain, sun, snow, etc.).
- Possible product applications are indicated in the attached illustrations.
- Do not place the fan or relative parts in water or liquids, except where indicated in the cleaning and maintenance section.
- When cleaning or performing routine maintenance, check the condition of the fan.
- To avoid the risk of fire, do not use the product in the presence of inflammable substances or vapours such as alcohol, insecticides, gasoline, etc.
- The air or fumes being extracted must be clean and free from greasy particles, soot, chemical and corrosive agents, inflammable or explosive mixes (If these substances are treated, contact an authorised dealer for specific range of explosion-proof products).
- **The product must be installed by professionally qualified personnel. Incorrect installation can cause damage to people, animals or property, for which the manufacturer cannot be held liable.**
- The product must be connected to the electricity supply via a fixed wired and fused (3 amp) spur incorporating a double pole switch with contact openings of at least 3 mm.
- To ensure optimum operation, do not block the air intake and exit vents.
- Ensure that any ducting used is free of blockages.
- For optimum operation, ensure that the product is installed at a minimum height of 2.30 m above the ground.
- The room where the fan is located must be adequately ventilated to ensure correct operation.
- If the product is sited in a room containing a fuel burning appliance which is not of the balanced flue type, the installer must ensure that air replacement is adequate both for the fan and the fuel burning appliance.
- The fan should not be used as an activator for water heaters, stoves, etc.
- The fan must not exhaust into ducts designed to evacuate fumes from the combustion in stoves or other combustion-powered devices.
- The fan must have a single duct (for its exclusive use) or exhaust directly outside.

## RANGE

**CB95T , CK220T** - with adjustable Overrun Timer. Can either be wired via a light switch or via a remote (illuminated) switch. When the light is switched on , the fan will operate , and when the light is switched off, the fan will continue to run for the pre-set length of time.

**CB95 , CK220** , - standard model, normally operated by means of a control switch.

**CB952C , CK2202C** - 2 speed models with pull-cord . The fans operate permanently at the lower speed and can be boosted to a maximum speed by means of the pull-cord. Pulling the cord again reverts the fan to its lower speed. Can be wired also with a dedicated switch or a light switch (OPTIONAL), giving OFF and 2 speed.

**CB95HCT and CK220HCT** - with Humidistat , Cord and Overrun Timer. This fan has an integral, adjustable, electronic humidistat, which is sensitive to the level of moisture (relative humidity) in the air. The fan starts and continues to operate until the humidity has fallen beneath the pre-set level and the timer has completed the over-run period. The pull-cord override allows the fan to be operated manually regardless of the humidity level (a neon light indicates that the fan is operating in this mode). Pulling the cord again will make the fan revert to being operated automatically by the humidistat and/or the over-run Timer. The fan can also be operated by a remote (light) switch.

**CB95H2C and CK220H2C** - with Humidistat , 2 speed, Cord and Overrun Timer. 2 speed models with integral, adjustable, electronic humidistat, which is sensitive to the level of moisture (relative humidity) in the air. The fan starts and continues to operate at low speed until the humidity has fallen beneath the pre-set level and the timer has completed the over-run period. Pulling the pull-cord override will boost the fan to its maximum speed. The neon indicator will come on showing that the fan is being operated manually. Pulling the cord again will make the fan revert to its low speed and to being operated automatically by the humidistat and/or the over-run Timer (the neon indicator will switch off).

**N.B.** Both the humidistat and timer on all fans may be adjusted by following the instructions on the front of the printed circuit board. Always disconnect the fan from the power supply before carrying out any operation.

The humidistat is pre-set at the factory to operate the fan when the humidity level reaches 70%.

All versions with Humidistat incorporate a controlled temperature set-back allowing the humidistat to take into account variations in the ambient temperature and to avoid the fan switching on unnecessarily. This reduces fan operation at night.

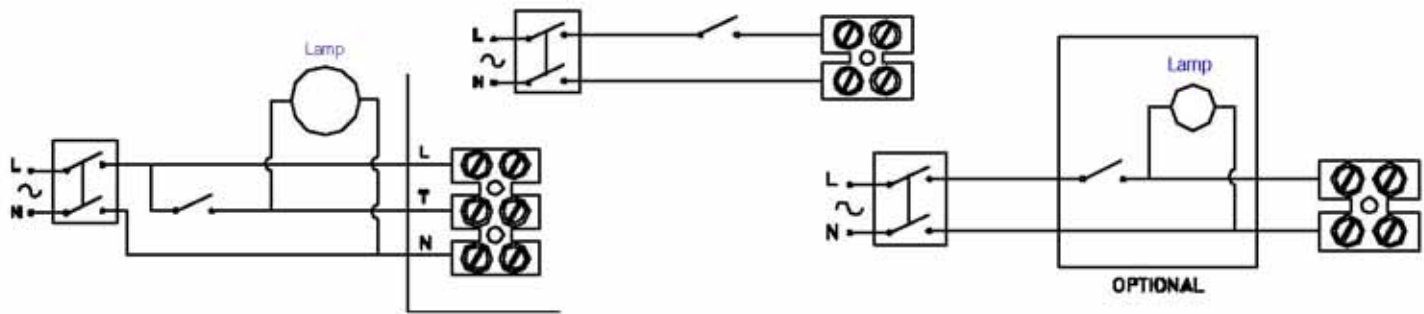


# WIRING INSTRUCTIONS

CB95T - CK220T

CB95 - CK220

CB952C - CK2202C

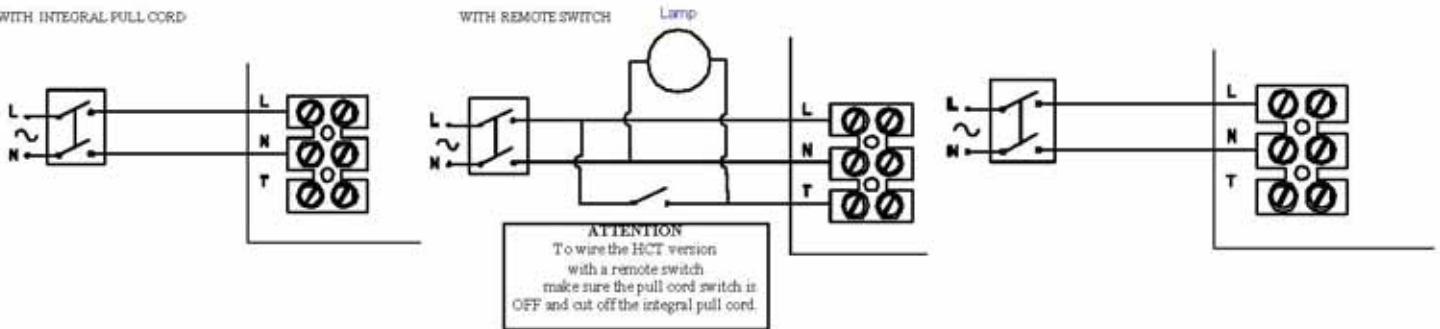


CB95HCT - CK220HCT - CB95H2C - CK220H2C

CB95H2C - CK220H2C

WITH INTEGRAL PULL CORD

WITH REMOTE SWITCH



## MAINTENANCE AND CLEANING

Disconnect the mains electrical supply by means of the double pole switch.

Remove the front grille as described above and wash with a mild detergent.

To clean the inside of the fan, use a soft brush taking care not to cause any damage to the electrical wiring.

A FULL RANGE OF ACCESSORIES ARE AVAILABLE WITH THIS RANGE